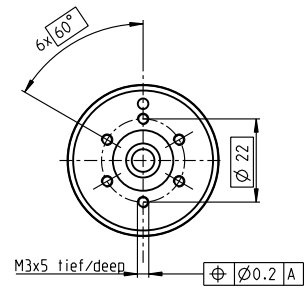
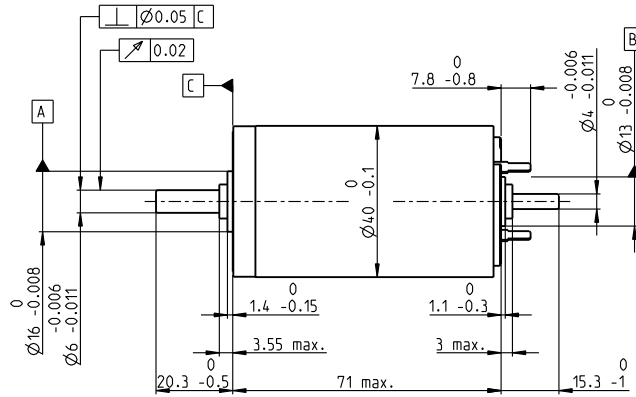
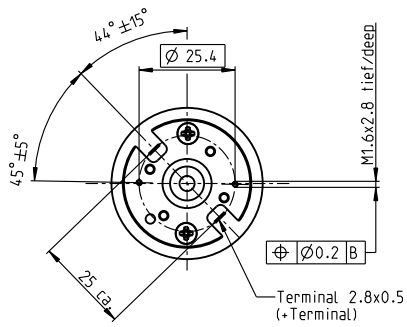


RE 40 Ø40 mm, Precious Metal Brushes, 25 Watt



M 1:2

- Stock program
- Standard program
- Special program (on request)

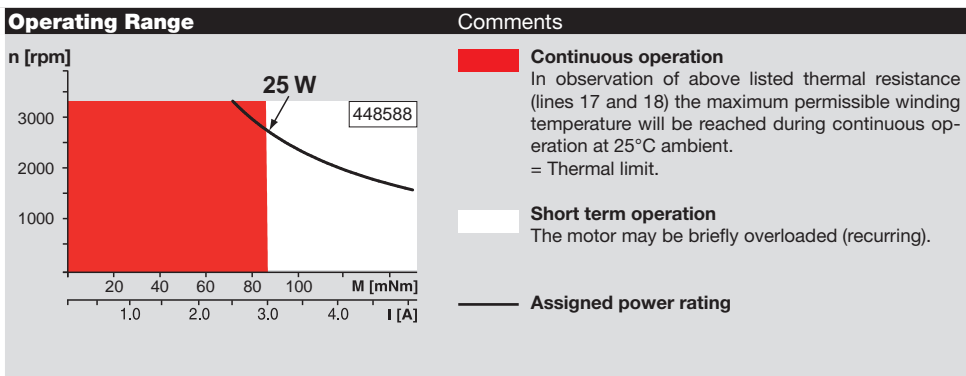
Part Numbers					
448588	448589	448590	448591	448592	

Motor Data (provisional)		448588	448589	448590	448591	448592	
Values at nominal voltage							
1	Nominal voltage	V	9	18	24	42	48
2	No load speed	rpm	2850	2850	2780	2920	2690
3	No load current	mA	49.7	24.8	18.1	11	8.62
4	Nominal speed	rpm	2560	2580	2470	2640	2400
5	Nominal torque (max. continuous torque)	mNm	87.8	87.8	88.2	87.6	87.6
6	Nominal current (max. continuous current)	A	2.96	1.48	1.09	0.65	0.524
7	Stall torque	mNm	873	956	794	895	818
8	Stall current	A	29	15.9	9.66	6.53	4.81
9	Max. efficiency	%	92	92	92	92	92
Characteristics							
10	Terminal resistance	Ω	0.311	1.14	2.49	6.43	9.97
11	Terminal inductance	mH	0.082	0.33	0.613	1.7	2.62
12	Torque constant	mNm/A	30.2	60.3	82.2	137	170
13	Speed constant	rpm/V	317	158	116	69.7	56.2
14	Speed / torque gradient	rpm/mNm	3.27	2.98	3.51	3.27	3.3
15	Mechanical time constant	ms	4.85	4.29	4.36	4.14	4.13
16	Rotor inertia	gcm ²	142	137	119	121	120

Specifications		
Thermal data		
17	Thermal resistance housing-ambient	4.65 K/W
18	Thermal resistance winding-housing	1.93 K/W
19	Thermal time constant winding	41.5 s
20	Thermal time constant motor	809 s
21	Ambient temperature	-20...+85°C
22	Max. winding temperature	+100°C
Mechanical data (ball bearings)		
23	Max. speed	3330 rpm
24	Axial play	0.05 - 0.15 mm
25	Radial play	0.025 mm
26	Max. axial load (dynamic)	5.6 N
27	Max. force for press fits (static, shaft supported)	110 N
28	Max. radial load, 5 mm from flange	1200 N
28	Max. radial load, 5 mm from flange	28 N
Other specifications		
29	Number of pole pairs	1
30	Number of commutator segments	13
31	Weight of motor	480 g

Values listed in the table are nominal.
Explanation of the figures on page 151.

Option
Preloaded ball bearings



maxon Modular System	Overview on page 20-27
<p>Recommended Electronics:</p> <p>Notes Page 24</p> <ul style="list-style-type: none"> ESCON Module 24/2 416 ESCON 36/2 DC 416 ESCON Module 50/5 417 ESCON 50/5 418 EPOS2 24/2 424 EPOS2 Module 36/2 424 EPOS2 24/5, EPOS2 50/5 425 EPOS2 P 24/5 428 EPOS4 Module 50/8 431 EPOS4 Comp. 50/8 CAN 431 MAXPOS 50/5 435 	<p>Encoder MR 256 - 1024 CPT, 3 channels Page 393</p> <p>Encoder HED_ 5540 500 CPT, 3 channels Page 399/402</p>